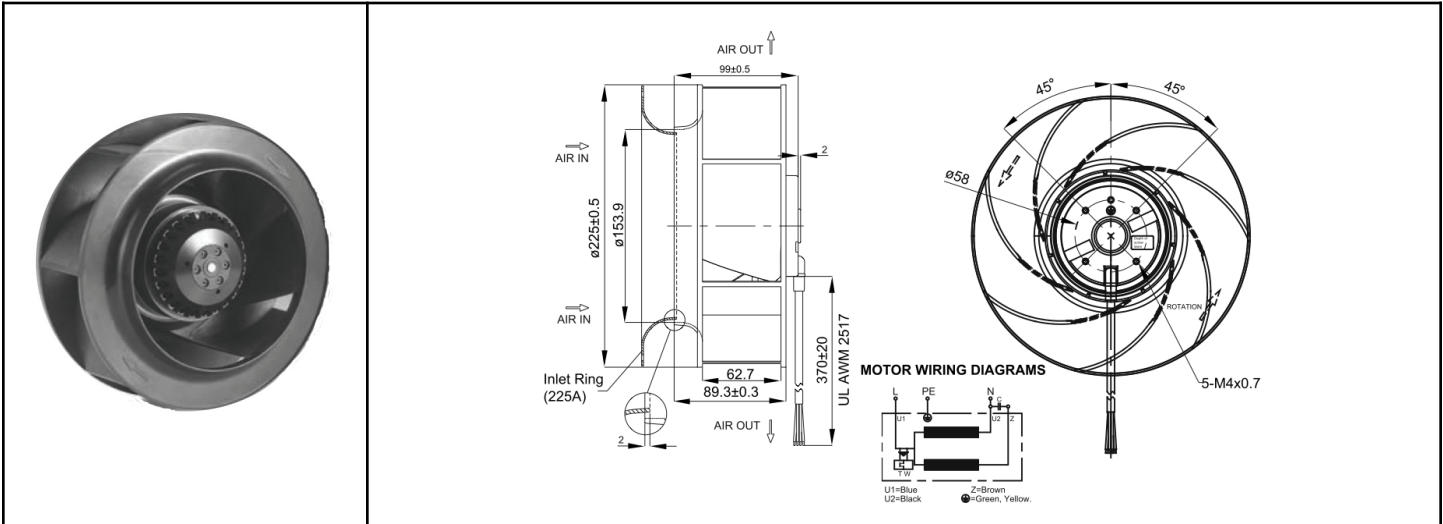


OAB22599 Series



AC Blower, ball bearing
225x99 (8.86"x 3.9")



Backwards Curved Impeller		<u>Insulation Housing:</u> AC1500V / 1 minute <u>Insulation Resistance:</u> > 100 M ohms DC500V <u>Operating Temperature</u> -40 C ~ +60C <u>Life Expectancy</u> 40,000 hours (L10, 40C) Ball bearing IP55 Rated Weight 5.1 lbs. m2	
Frame & Impeller	Frame - Diecast aluminum, Impeller - UL94V-O Thermoplastic		
Connection	Lead Wires		
Motor	AC Capacitor drive 16uF/250V (115V) 4uF/450V (230V) (Capacitor Included)		
Bearing System	Dual Ball		

Part Number	OAB22599-11-1B	OAB22599-22-1B
Nominal Voltage	115 VAC (50/60 Hz)	230 VAC (50/60 Hz)
Nominal Current (Amps)	1.16 / 1.41	0.57 / 0.70
Locked Current (Amps)	2.22 / 2.30	1.14 / 1.15
Rated Power	128 / 160 W	126 / 157 W
Rated Speed (RPM)	2650 / 2950	2650 / 2950
Airflow (CFM)	700 / 770	700 / 770
Noise Level (dB)	69 / 71	69 / 71
Max. Static Pressure	2.0 / 2.6" H ₂ O	2.0 / 2.6" H ₂ O