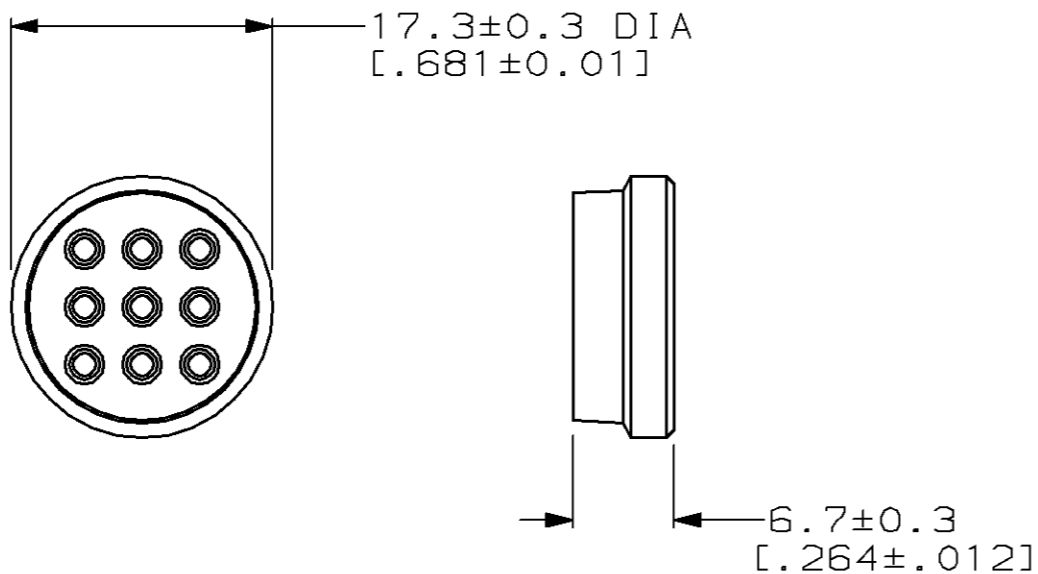


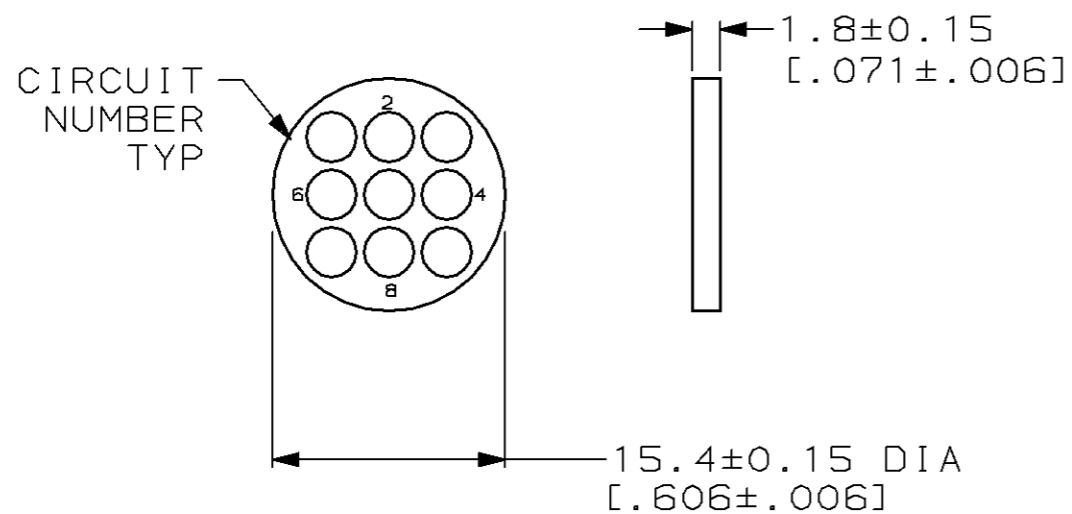
THIS DRAWING IS UNPUBLISHED. RELEASED FOR PUBLICATION ,19 .

© COPYRIGHT 19 BY AMP INCORPORATED. ALL RIGHTS RESERVED.

LOC	DIST	REVISIONS			
P	LTR	DESCRIPTION	DATE	DWN	APVD
	0	RLSE -1 PER NPR 5429, WAS 95-5029-5	09 OCT 95	-	-
	A	REV PER EC 0002-187-96	23 FEB 96	BC	AF



SEAL  
MATERIAL: SILICON, BLACK  
QTY=1



PRESSURE PLATE  
MATERIAL: NYLON, BLACK  
QTY=1

1. INSULATION RANGE: 1.90 [0.075] TO 3.18 [0.125] DIA.
2. FOR USE WITH PIN CONTACTS.

213926-1  
PART NUMBER

THIS DRAWING IS A CONTROLLED DOCUMENT FOR AMP INCORPORATED. IT IS SUBJECT TO CHANGE AND THE CONTROLLING ENGINEERING ORGANIZATION SHOULD BE CONTACTED FOR THE LATEST REVISION.		DWN W.G.LENKER 09 OCT 95	<b>AMP</b> AMP Incorporated Harrisburg, PA 17105-3608
DIMENSIONS: mm [INCHES]		CHK R.STONE 11 OCT 95	
TOLERANCES UNLESS OTHERWISE SPECIFIED: 0 PLC ±- 1 PLC ±- 2 PLC ±- 3 PLC ±- 4 PLC ±- ANGLES ±-		APVD A.FRANTUM 11 OCT 95	NAME SEAL KIT, R.H., UNASSEMBLED, SIZE 13-9, CPC
MATERIAL SEE CALLOUTS		PRODUCT SPEC 108-1579	SIZE A3
FINISH -		APPLICATION SPEC -	CAGE CODE 00779
		WEIGHT -	DRAWING NO C-213926
		CUSTOMER DRAWING	SCALE 2:1
			SHEET 1 OF 1
			REV A