

1

2

3

4

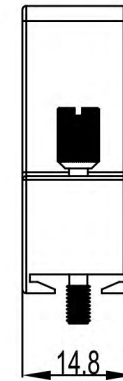
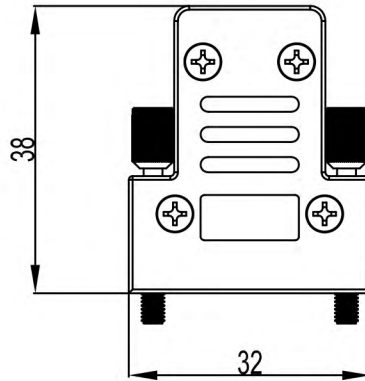
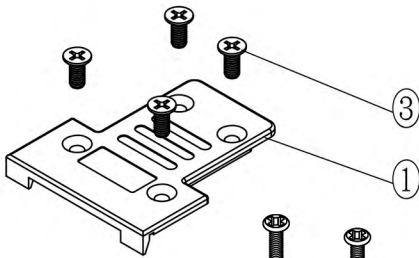
5

6

7

A

A



TECHNICAL SPECIFICATIONS

Material: Zinc
 Plating: Nickel over Copper
 Operating Temperature: -40°C to +120°C
 Thumbscrews: UNC 4-40

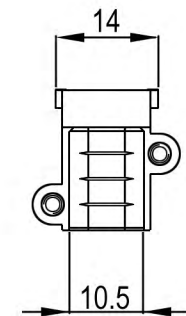
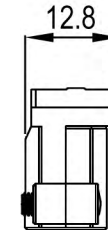
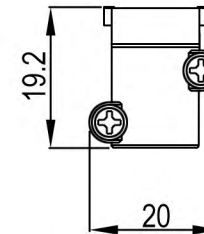
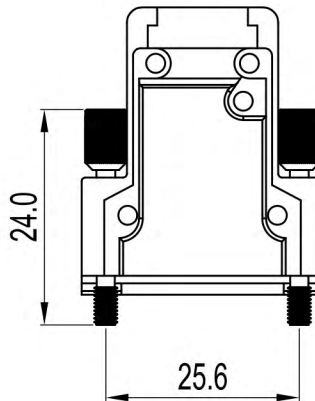
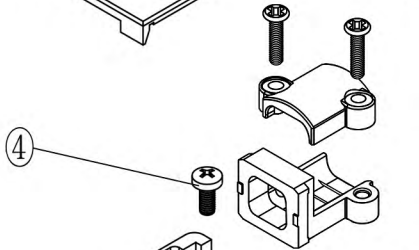
No. of contacts: 09-15-25

B

B

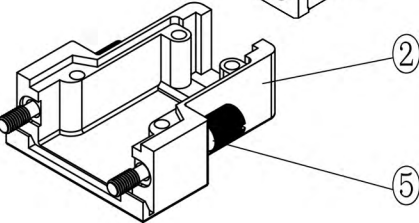
C

C



D

D



E

E

Item	QTY	Part description
1	1	Upper Cover
2	1	Lower Cover
3	4	M2.5x6 CSK Screw
4	1	M2.5x6 Pozi Screw
5	2	UNC 4-40x24 Jackscrew
6	2	M2.5x10 Screw
7	1	Cable Strain Relief

F

F

RoHS compliant
 Unit: mm

Scale	Free					Date	Name	Customer-No.
TOLERANCE						Drawn	17.08.2017	S.Bölling
0~6	±0.10					Approved	17.08.2017	S.Bölling
6~30	±0.20							
30~120	±0.30							
120~400	±0.50							
DIM	Tol							
Angle	±1°	©	Drawn	17.08.2017	S.Bölling			
Angle	Tol	Id.	Modification	Date	Name			

ASSMANN
 WSW components

Customer-No.
 ASSMANN WSW-No.
ACOV-SUB-09MB8

Drawing-No.
ASS_5249_CO rev00
 Replace
 Sheet 1/3

G

G

H

H

1

2

3

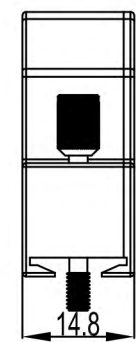
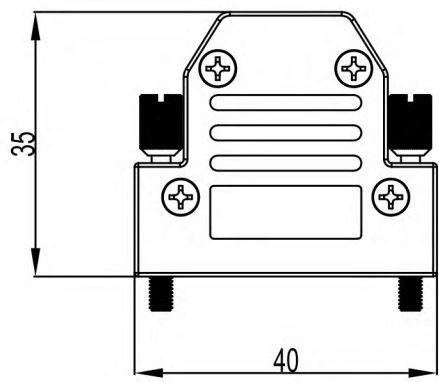
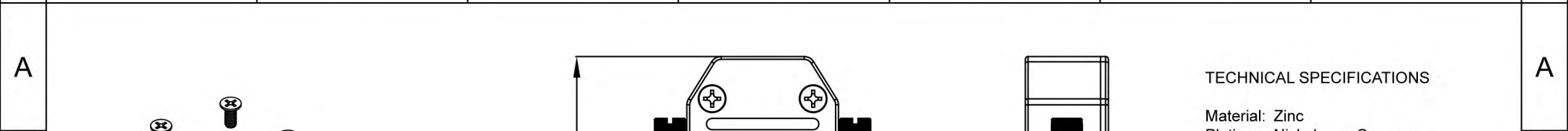
4

5

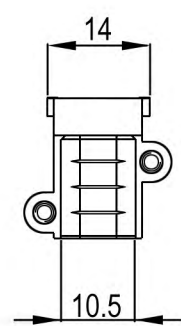
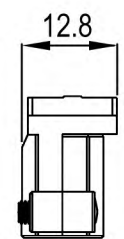
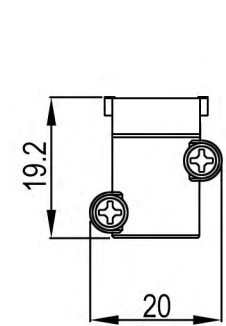
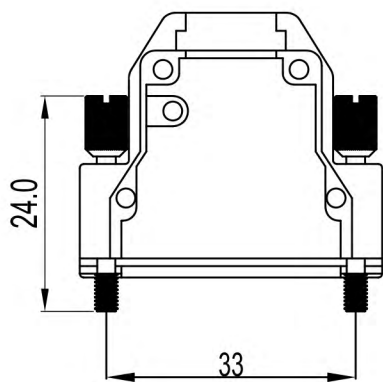
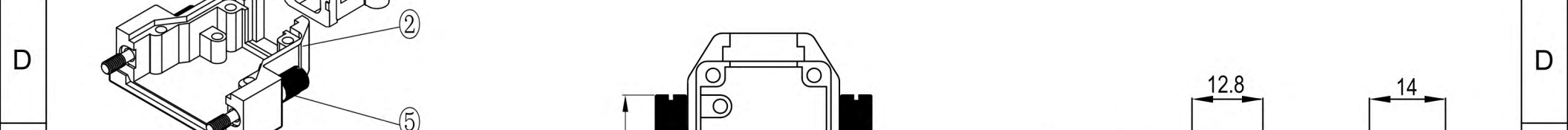
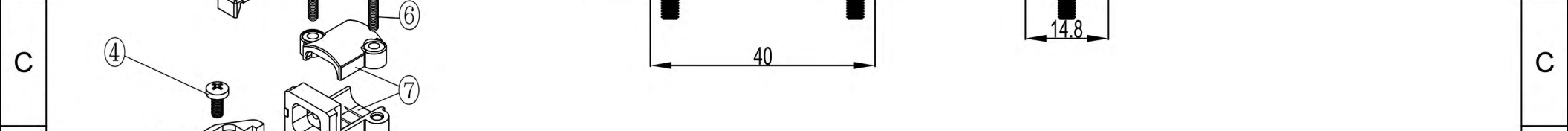
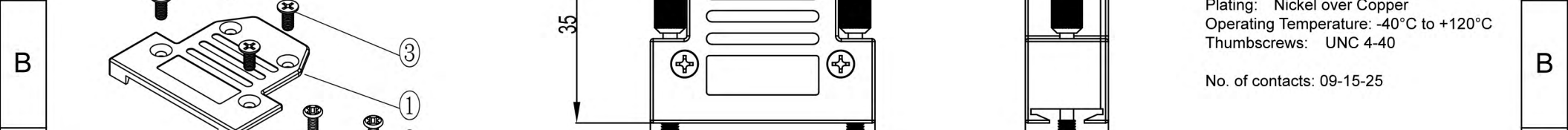
6

7

SV4382



TECHNICAL SPECIFICATIONS
 Material: Zinc
 Plating: Nickel over Copper
 Operating Temperature: -40°C to +120°C
 Thumbscrews: UNC 4-40
 No. of contacts: 09-15-25



Item	QTY	Part description
1	1	Upper Cover
2	1	Lower Cover
3	4	M2.5x6 CSK Screw
4	1	M2.5x6 Pozi Screw
5	2	UNC 4-40x24 Jackscrew
6	2	M2.5x10 Screw
7	1	Cable Strain Relief

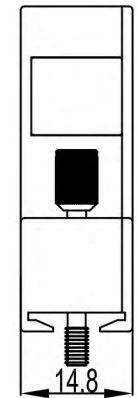
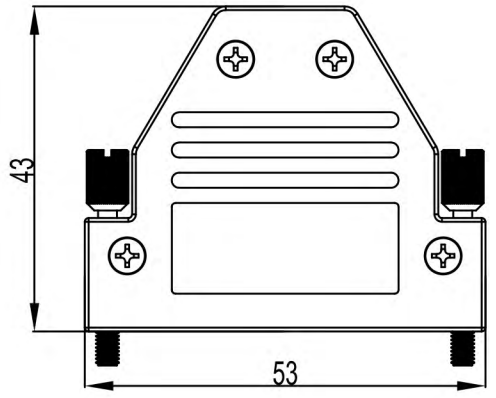
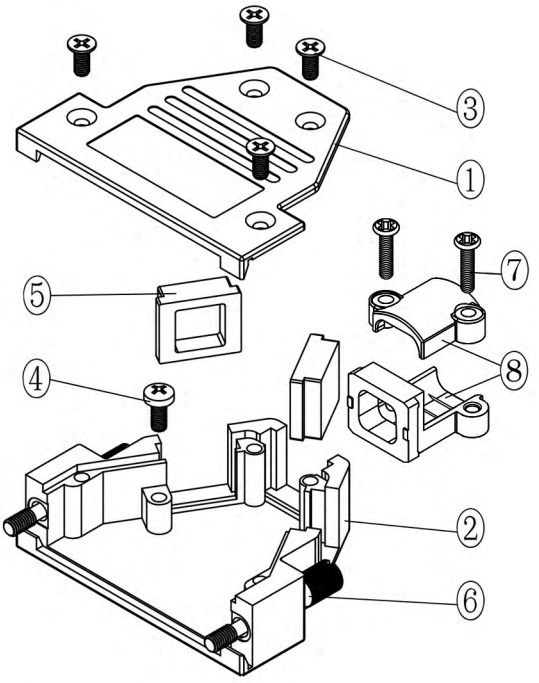
RoHS compliant
 Unit: mm

Scale	Free				Date	Name	Customer-No.
TOLERANCE					Drawn	17.08.2017	S.Bölling
0~6	±0.10				Approved	17.08.2017	S.Bölling
6~30	±0.20						
30~120	±0.30						
120~400	±0.50						
DIM	Tol						
Angle	±1°	©	Drawn	17.08.2017	S.Bölling	ASSMANN WSW components	
Angle	Tol	Id.	Modification	Date	Name		

ASSMANN WSW-No. ACOV-SUB-15MB7	
Drawing-No. ASS_5248_CO	rev00
Replace	Sheet 2/3

A
B
C
D
E
F
G
H

A
B
C
D
E
F
G
H

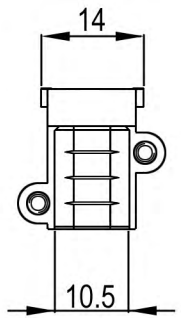
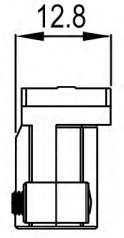
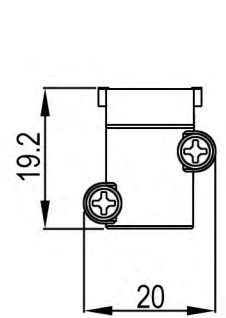
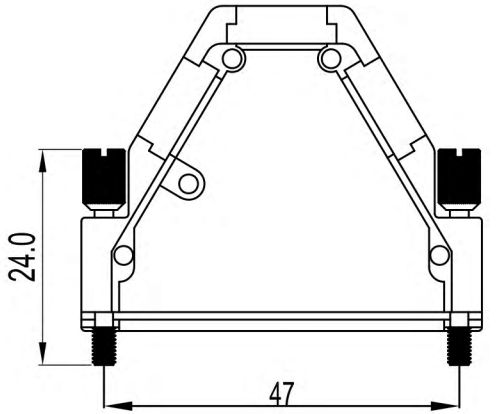


TECHNICAL SPECIFICATIONS

Material: Zinc
 Plating: Nickel over Copper
 Operating Temperature: -40°C to +120°C
 Thumbscrews: UNC 4-40

 No. of contacts: 09-15-25

Item	QTY	Part description
1	1	Upper Cover
2	1	Lower Cover
3	4	M2.5x6 CSK Screw
4	1	M2.5x6 Pozi Screw
5	2	Blanker
6	2	UNC 4-40x24 Jackscrew
7	2	M2.5x10 Screw
8	1	Cable Strain Relief



RoHS compliant
 Unit: mm

Scale	Free				Date	Name	Customer-No.	
TOLERANCE					Drawn	17.08.2017	S.Bölling	
0~6	±0.10				Approved	17.08.2017	S.Bölling	
6~30	±0.20							
30~120	±0.30							
120~400	±0.50							
DIM	Tol							
Angle	±1°	Ⓢ	Drawn	17.08.2017				S.Bölling
Angle	Tol	Id.	Modification	Date				Name

Customer-No.

 ASSMANN WSW-No.
ACOV-SUB-25MB8

Drawing-No.
ASS_5249_CO rev00
 Replace
 Sheet 3/3