



## 10W Triac Dimmable Constant Current LED Driver PDA010N North American Residential LED Driver



### Features

- UL8750 with Class 2 per UL1310
- OVP, OCP, Over-Load and Short-Circuit Protection
- >0.9 Power Factor Correction
- 3 Year Warranty
- IP67 Rating
- THD <20%
- UL 8750 Compliant
- Works with Most leading edge and trailing edge dimmers

### Applications

- Down lights
- Area Lights
- Residential lighting

### Safety Approvals

- cUL/UL

### Mechanical Characteristics

- Length: 80mm (3.14in)
- Width: 78mm (3.07in)
- Height: 25.4mm (0.992in)
- Weight: 165g (5.82oz)

### Output Specifications

Model	DC Output Voltage			Output Current	Output Power
	Min.	Typ.	Max.		
PDA010N-350B-R	21V	-	30V	350mA	10W
PDA010N-700B-R	10V	-	14.3V	700mA	10W
PDA010N-1A0B-R	7V	-	10V	1000mA	10W

Phihong is not responsible for any error, and reserves the right to make changes without notice. Please visit our website at [www.phihong.com](http://www.phihong.com) for the most up-to-date specifications and contact information.

**INPUT:**

**AC Input Voltage Rating**  
108VAC to 132VAC

**AC Input Frequency**  
47~63Hz

**Maximum Input Current**  
≤ 0.25A

**Leakage Current**  
0.25mA maximum

**Power Factor**  
≥ 0.9

**THD**  
Less than 20%

**OUTPUT:**  
**Output Current Ripple**  
≤ 30%

**Efficiency**  
78% at 120VAC

**Environmental:**

**Temperature**  
Operation case           -00 to +85°C  
Non-operation            -40 to +85°C  
Operating Humidity       20 to 95%

**EMC**  
FCC Part 15 Class B

**Immunity**  
IEC61000-4-2  
IEC61000-4-4  
IEC61000-4-5  
IEC61000-4-11

**Dielectric Withstand (Hi-pot) Test**  
Primary to secondary: 1500VAC for 1 minute, 10mA

**Insulation Resistance**  
Primary to secondary: >10M Ohm 500VDC, 1 Minute

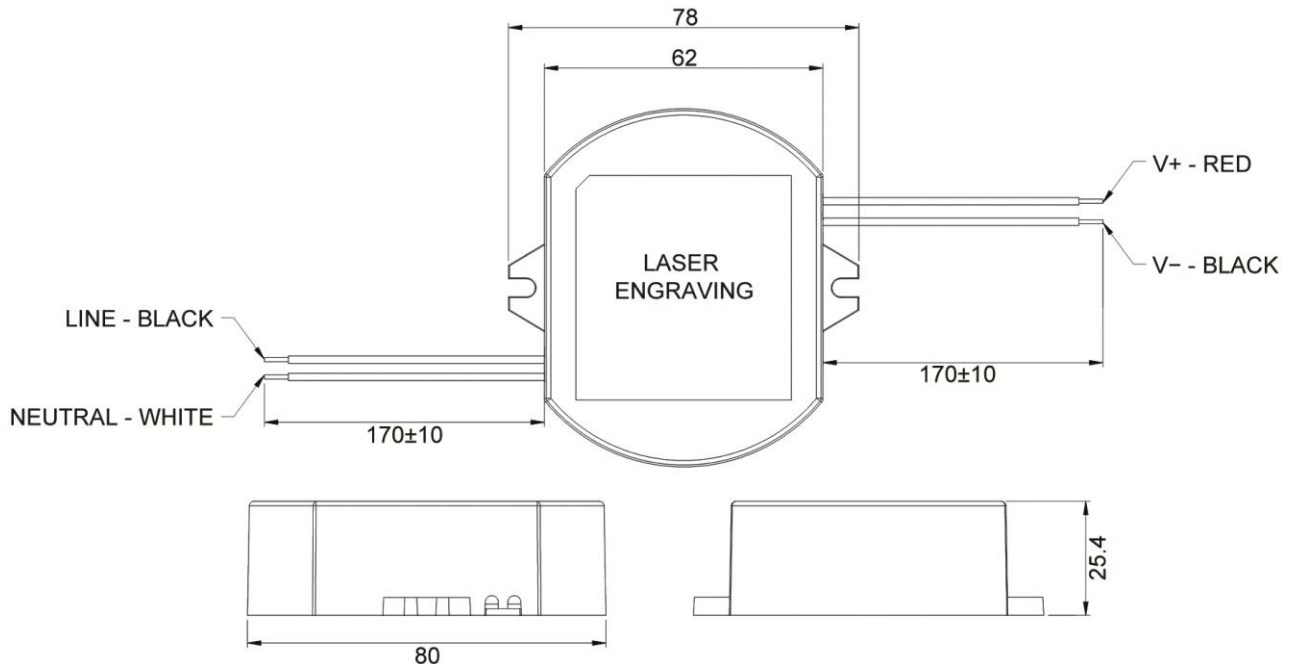
**FEATURES:**  
**Short-Circuit Protection**  
The PSU will withstand a short circuit across the outputs without damage

**Output Over-voltage Protection**  
Auto restart

**Input / Output Connections**

Position	Terminal Color	Specification
Input	Black	AWG18 Stranded Wire
	White	AWG18 Stranded Wire
Output	Red	AWG18 Stranded Wire
	Black	AWG18 Stranded Wire

**Warranty**  
3 Years



**Dimmer Compatibility List**

Make	Dimmer Name	Series
LEVITON	RP106	ROTARY
LEVITON	DVCL-153P	DIVA
LEVITON	6613-P	SURESLIDE
LEVITON	IPL06	ILLUMATECH
LUTRON	DV-600P	DIVA
LUTRON	DVLV-600P	DIVA
LUTRON	D-600P	DIVA
LUTRON	RRD-6D	RADIORA2
LUTRON	RRD-10ND	RADIORA2
LUTRON	DVELV-300P	DIVA
LUTRON	CTELV-303P	SKYLARK CONTOUR
LUTRON	GLV-600P	GLIDER
LUTRON	NT-1000	NOVA
LUTRON	SLV-600P	SKYLARK
LUTRON	RRD-6NA	RADIORA2
LUTRON	MA-600	MAESTRO
LUTRON	MALV-600	MAESTRO

The driver has been tested and is compatible with the above list of dimmers.