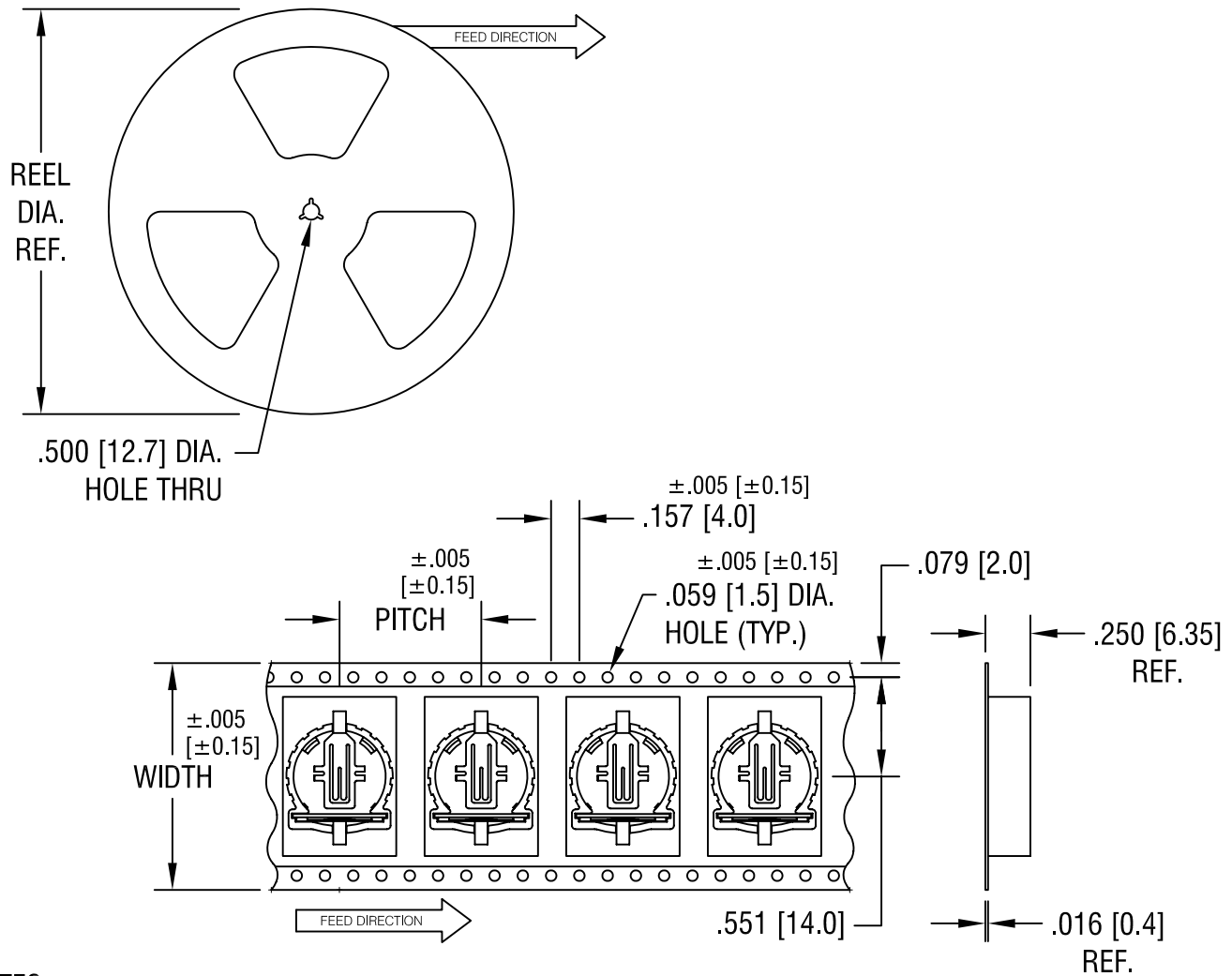


THIS DOCUMENT IS THE PROPERTY OF  
KEYSTONE ELECTRONICS CORP. AND  
SHALL NOT BE REPRODUCED, DISTRIBUTED  
OR USED AS A BASIS FOR MANUFACTURE  
WITHOUT PRIOR WRITTEN PERMISSION  
FROM KEYSTONE ELECTRONICS CORP.



NOTES:

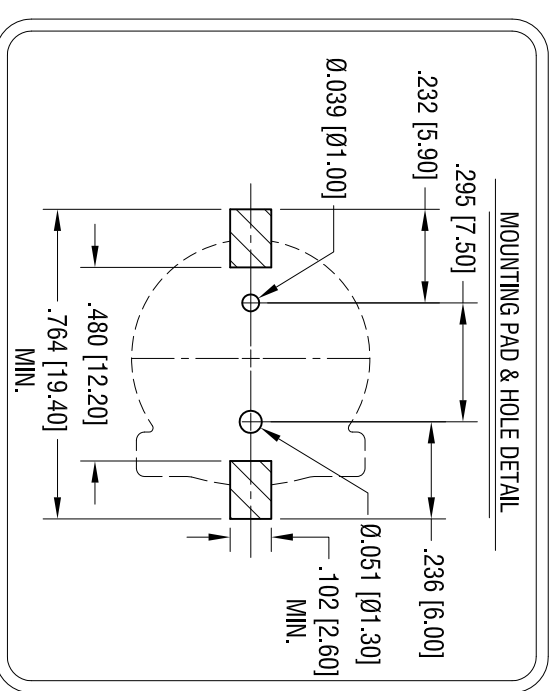
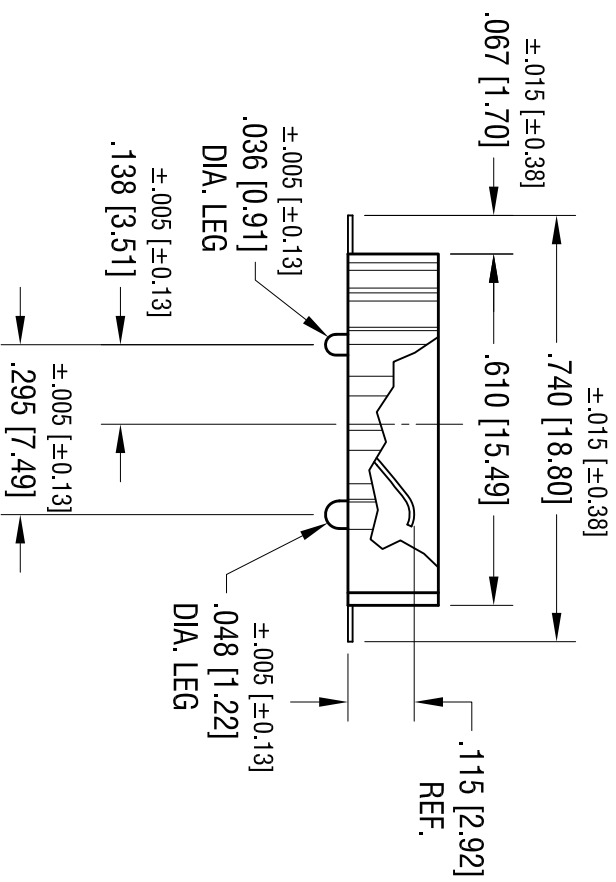
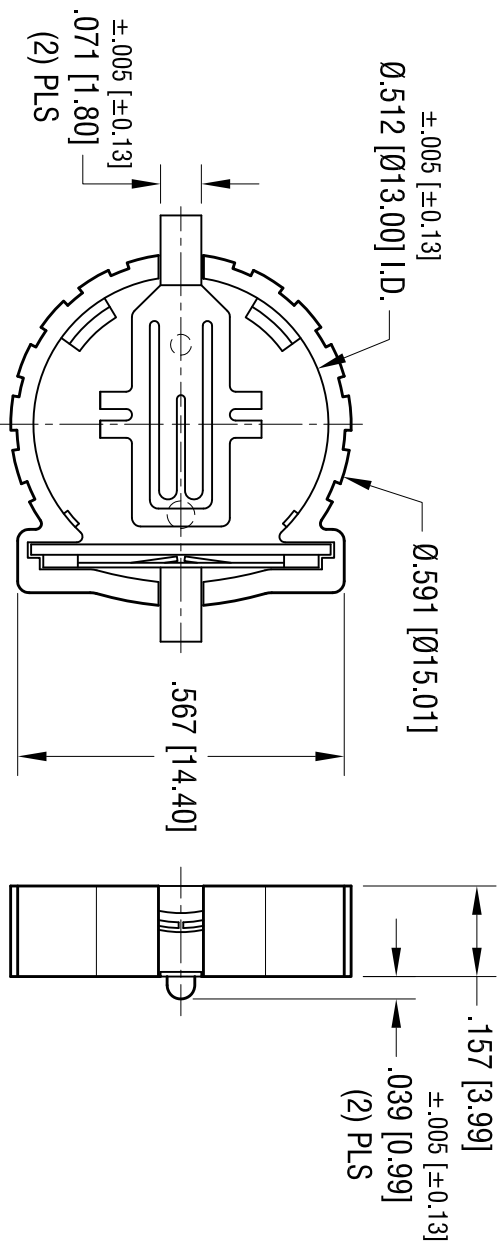
TAPE AND REEL SPECIFICATIONS:

1. TAPE:  
MAT'L - ALL CONDUCTIVE POLYSTYRENE CARRIER  
ANSI/EIA-481 STANDARD  
1.260 [32.0] WIDE; .787 [20.0] PITCH
2. REEL:  
13.0 [330.2] DIA. 500 PIECES OF  
PART NO. 1056 PER REEL.

<b>KEYSTONE ELECTRONICS CORP.</b>			
ASTORIA, N.Y. 11105-2017			
PART NAME			
1220mm SM COIN CELL HOLDER ON TAPE			
MATERIAL			
AS NOTED			
FINISH		DRN BY	DATE
AS NOTED		BOONE	6.18.07
		APP'D	SCALE
		LN	X
TOLERANCES	INCH [MM]	CODE	DWG NO.
DECIMAL	$\pm .015$ [ $\pm 0.38$ ]	C/M	<b>1056TR</b>
ANGULAR	$\pm 1^\circ$		
UNLESS OTHERWISE SPECIFIED			

DATE	DESCRIPTION	REV.

DATE	DESCRIPTION	REV.
12.08.08	CHANGE AS PER ECN 08-188	A
3.09.16	CHANGE AS PER ECN 16-037 UPDATE MTC DETAIL	B



ACTUAL SIZE

THIS DOCUMENT IS THE PROPERTY OF KEYSTONE ELECTRONICS CORP. AND SHALL NOT BE REPRODUCED, DISTRIBUTED OR USED AS A BASIS FOR MANUFACTURE WITHOUT PRIOR WRITTEN PERMISSION FROM KEYSTONE ELECTRONICS CORP.

## KEYSTONE ELECTRONICS CORP.

www.keystec.com • ASTORIA, N.Y. 11105-2017 • Tel (718) 956-8900

PART NAME

1220 BATTERY HOLDER, SMT

MATERIAL

AS NOTED

FINISH

AS NOTED

TOLERANCES INCH [MM]  
DECIMAL ± .010 [± 0.25]  
ANGULAR ± 1°

CODE

C

DWG NO.

1056

DRN BY

BOONE

DATE

9.15.05

APP'D

LN

SCALE

3X

### NOTES:

1. BASE:

MAT'L - GLASS FILLED PPS UL 94V-0

2. CONTACTS:

MAT'L - .008 [0.20] THK PHOSPHOR BRONZE

FINISH - GOLD FLASH , OVER NICKEL PLATE