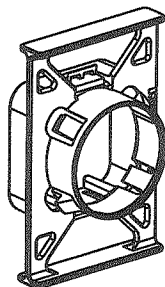
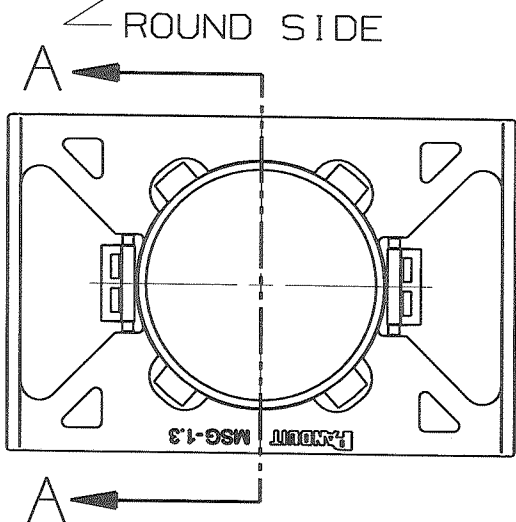
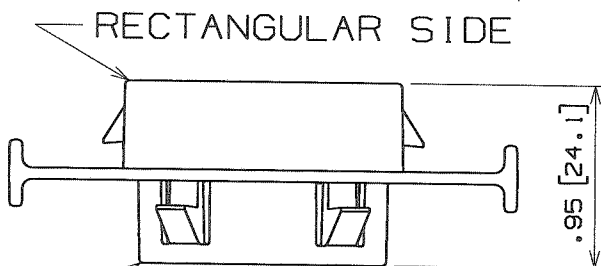
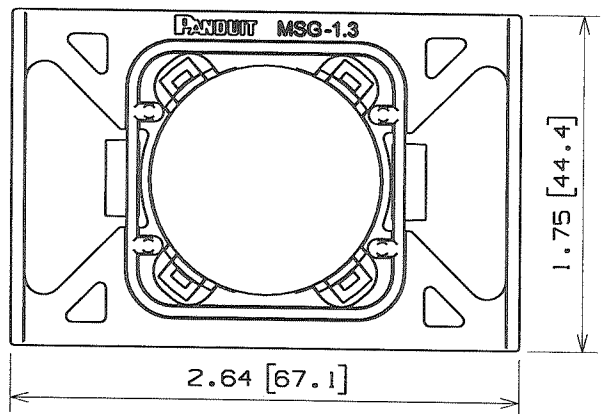


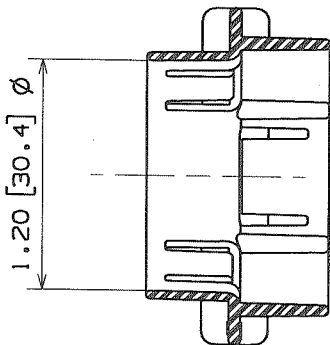
THIS COPY IS PROVIDED ON A RESTRICTED BASIS AND IS NOT TO BE USED IN ANY WAY DETRIMENTAL TO THE INTERESTS OF PANDUIT CORP.

NOTES:

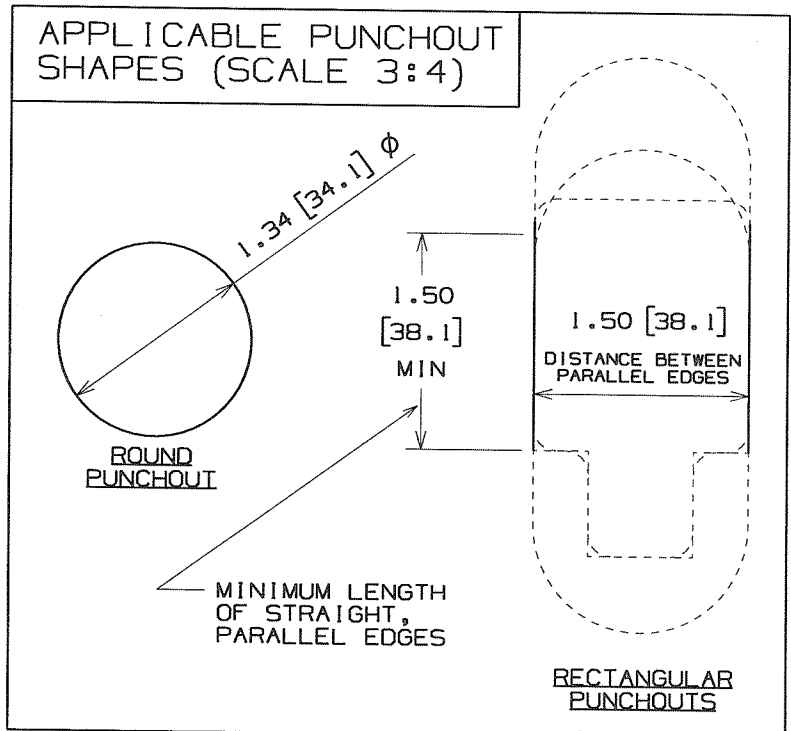
1. SEE CURRENT PRICE SHEET FOR PART NUMBER SUFFIX DESIGNATION FOR PACKAGE SIZE.
2. PART CAN BE INSTALLED INTO "ROUND" OR "RECTANGULAR" PUNCHOUTS IN STEEL STUDS WITH MATERIAL THICKNESS UP TO 0.10".
3. PART SUITABLE FOR USE IN HOLES PUNCHED WITH PANDUIT PART #MSPT-1.3.



ISOMETRIC VIEW
SCALE 1:2



SECTION A - A



DIMENSIONS IN BRACKETS ARE METRIC [mm]

CAD FILENAME/LAYERS G03677BM_DC_GB3677BM/02A

PANDUIT CORP. TINLEY PARK, ILLINOIS

MSG-1.3
METAL STUD GROMMET

UNLESS OTHERWISE SPECIFIED,
DIMENSIONAL TOLERANCES ARE:
(.X) ±0.05 [1.3] (.XXX) ±0.010 [0.25]
(.XX) ±0.02 [0.5] ANGLES ±5°

UNLESS OTHERWISE SPECIFIED,
ALL DIMENSIONS ARE GIVEN
IN INCHES, THIRD ANGLE
PROJECTION.

DRAWN BY ARHA
DATE 12-07-09
CHK'D KLN
MAT'L: POLYPROPYLENE
(YELLOW)

SCALE 1:1
DRAWING NO. GB3677BM
DWG A
S17F

O2A	12/07/09	ARHA	CHK	INITIAL RELEASE	GB3677BM	O2A	KLN		
REV	DATE	BY	CHK	DESCRIPTION	ECN	R	CUST	SUP	