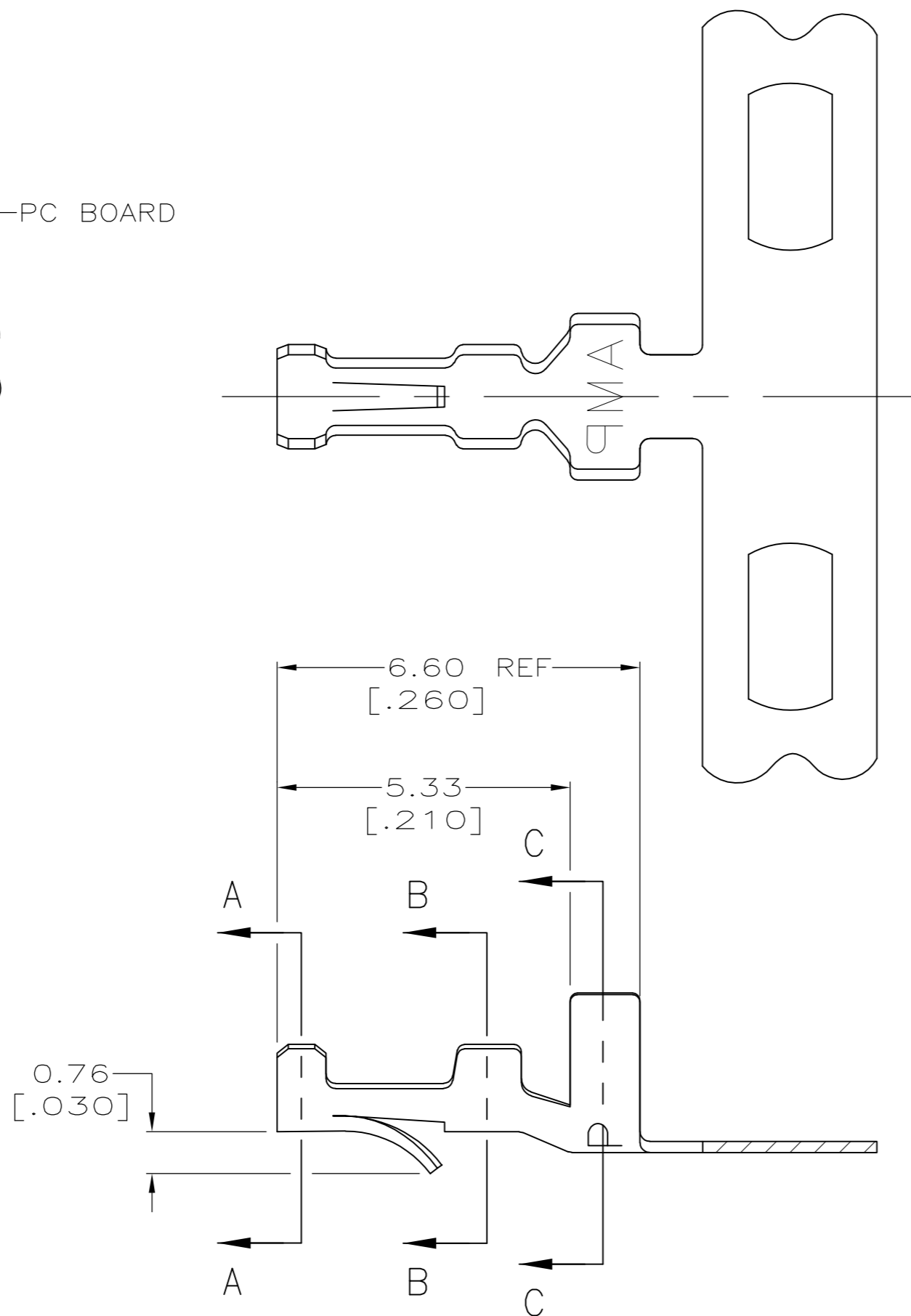
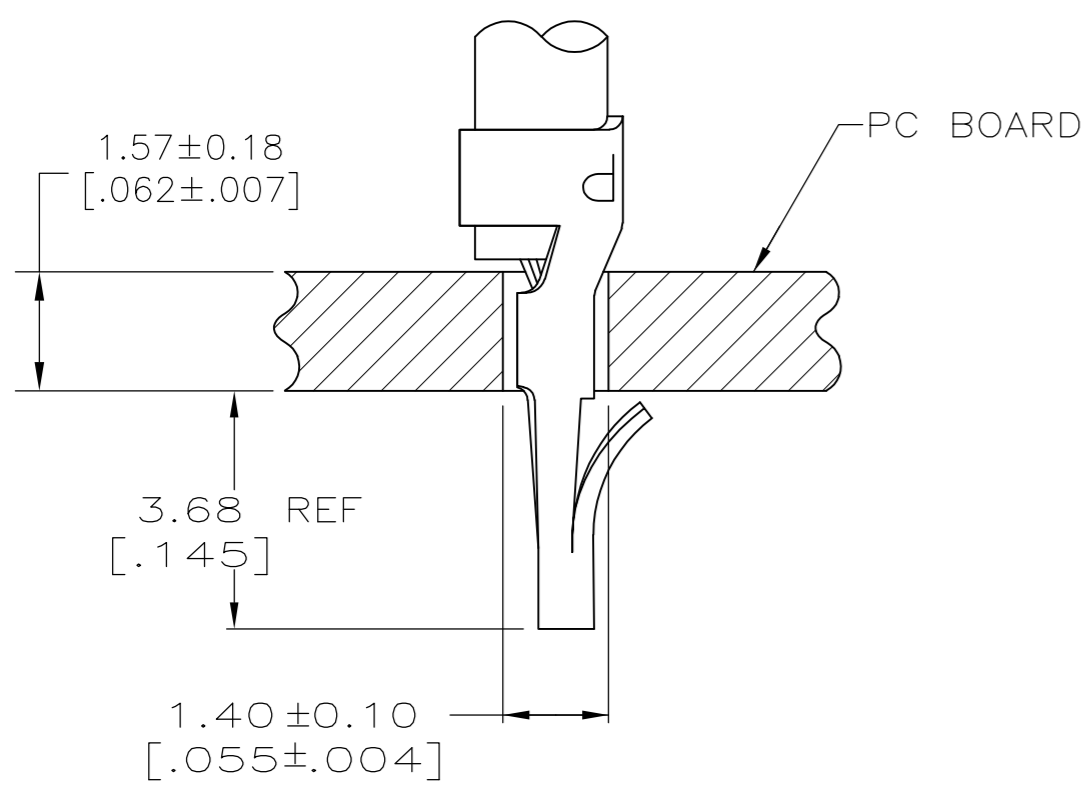
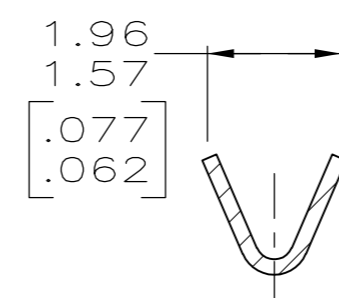


THIS DRAWING IS UNPUBLISHED. RELEASED FOR PUBLICATION
 © COPYRIGHT - By - ALL RIGHTS RESERVED.

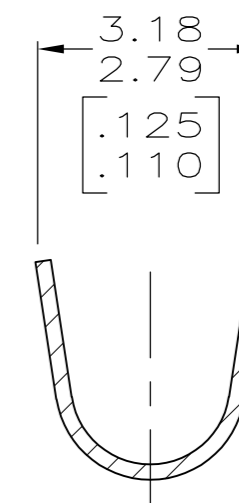
| LOC | | DIST | | REVISIONS | | | |
|-----|-----|-------------|--|---------------------------|---------|-------|--|
| P | LTR | DESCRIPTION | | DATE | DWN | APVD | |
| CM | 00 | P2 | | REVISED PER ECO-12-014997 | 22AUG12 | KH SM | |



- 1 PARTS COMPLY WITH AMP SOLDERABILITY SPEC 109-11-3.
- 2 PARTS CAPABLE OF BEING APPLIED BY AMPOMATOR.
- 3 0.00508 [.000200] MIN BRIGHT TIN-LEAD.
- 4 0.00381 [.000150] MIN BRIGHT TIN-LEAD OVER 0.00127 [.000050] MIN NICKEL.
- 5 WIRE RANGE: 0.12 - 0.4 mm² (26 - 22 AWG).
- 6 INSULATION RANGE: 1.02 - 2.54 [.040 - .100] DIA.
- 7 DIMENSIONS IN BRACKETS ARE IN INCHES.
- 8 0.00508 [.000200] MIN BRIGHT TIN.



SECTION A-A, B-B



SECTION C-C

| | | | | |
|-----------------------------|------------|--------|-------------------|---------------------|
| | MINI | 8 | 0.20[.008] PH BRZ | 3-640401-1 |
| | MINI | 4 | 0.20[.008] PH BRZ | 640401-3 |
| SUPERSEDED BY 3-640401-1 | MINI | 3 | 0.20[.008] PH BRZ | 640401-1 |
| | APPLICATOR | FINISH | MATERIAL | PART NO |

METRIC

| | | | | |
|--|--|----------------------------------|------------------------|--------------------|
| THIS DRAWING IS A CONTROLLED DOCUMENT. | | DWN S. CARPENTER 21AUG2003 | TE Connectivity | |
| DIMENSIONS: INCHES | TOLERANCES UNLESS OTHERWISE SPECIFIED: | CHK J. ELLIS 21AUG2003 | NAME MINI AMP-IN™ | |
| | 0 PLC ± | APVD J. ELLIS 21AUG2003 | SIZE A2 | CAGE CODE 00779 |
| | 1 PLC ± | PRODUCT SPEC | DRAWING NO C=640401 | RESTRICTED TO - |
| MATERIAL SEE TABLE | FINISH SEE TABLE | APPLICATION SPEC 114-1016 | WEIGHT | SCALE 10:1 |
| CUSTOMER DRAWING | | | SHEET 1 of 1 | REV P2 |