

Panasonic

OVERVIEW

TOUCH PANELS



Communication between humans and machines



Whether in industry, shipping and transportation or in modern office systems, today's technology increasingly requires communication between people and machines. The machine's role therein is to display data, results, messages, etc. and to receive instructions and execute tasks assigned by people.

To meet the ever increasing demands of technology, new products have been developed over the last several years: touch panels – also known as HMIs. HMIs allow humans and machines to interact with each other.

Many functions that previously required lamps, LEDs and switches to be connected, for example, can now be fulfilled with just one device. Other functions that simply made life easier for the user came into being. For example, HMIs can save and display text and graphics, report errors as well as display data and machine status online. By entering instructions on the touch panel, the user can transfer data or issue instructions to the machine or the machine controller, usually via an interface.

Panasonic touch panels

The new compact tough panels (GT03-E, GT32-E) are successfully setting new standards for touch panels that can be used in difficult temperature conditions. The panels can be used outdoors within a temperature range of -20°C to $+60^{\circ}\text{C}$. Luminosity is $700\text{cd}/\text{m}^2$, which guarantees the legibility of complex displays even in direct sunlight.



Quality that you see

High-quality design offers a brilliant display. Parameters such as brightness and contrast, which can be individually specified, guarantee superior legibility. Moreover, all LCDs can be read at wide angles. The compact housing and protective plastic sheets for the display attest to a robust design.

All Panasonic HMIs fulfill the required international standards and regulations. As with all Panasonic products, our HMIs are subjected to extreme tests that far exceed normal operating conditions. Components and materials are meticulously selected so that a long lifetime is guaranteed.

Content

GT series	4-17
GT02	5
GT03-E.....	6
GT05	7
GT12.....	8
GT32-R	9
GT32-E.....	10-11
GT707.....	12-13
Features.....	14-15
Software & accessories	16-17
 HM500 series	 18-21
Available types	19
Features.....	20-21
 Part numbers	 22-23

Product overview



Compact and durable: the GT32-E from Panasonic



GT02

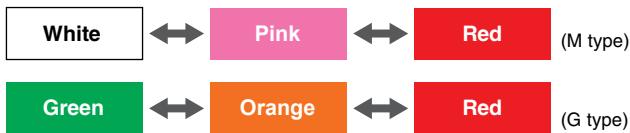


Compact and innovative 3.8 inch STN display for clear and vivid pictures



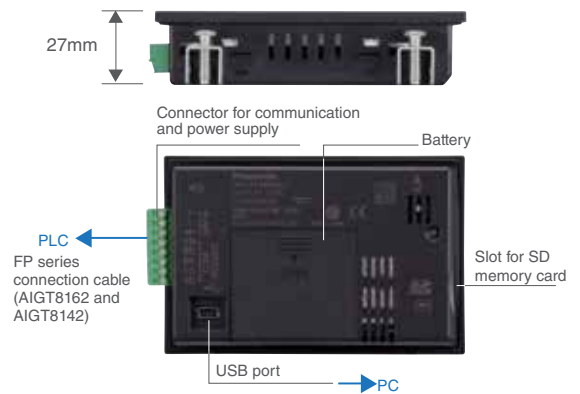
3.8 inch high-contrast monochrome LCD, 3-color LED backlight

The high-definition LCD (240 x 96 dots) increases information capacity. The 3-color LED backlight is maintenance-free and controllable and comes in two variations: green/orange/red and white/pink/red.



The first programmable display of its class which has an SD memory card slot

AIG02M2*D and AIG02G2*D are equipped with an SD/SDHC memory card slot to allow easy screen data transfer, data logging and storage.



Flexible sizing and layout available for switches and characters

Switches of a minimum of 8 x 8 dots can be moved in increments of one dot. A wide range of character fonts and sizes (10 to 96 dots) is supported.

IP67-rated body

Highly impervious to dampness, water, vapors, etc. In addition, a new bracket for more secure fastening has been designed.

Horizontal and vertical mounting

This increases the scope of applications significantly.

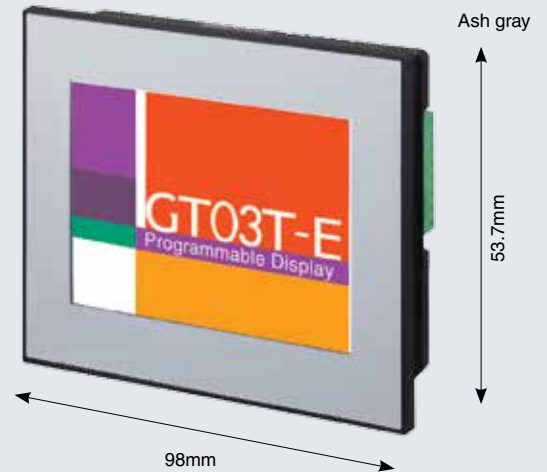


Another member of the “tough panels” family

GT03-E “tough panel”



Small, compact, and robust: the GT03-E



Optimal for operation under extreme conditions

With its ability to cope with a wide temperature range of -20°C to $+60^{\circ}\text{C}$, the GT03-E is perfect for outdoor use. Installation is possible in landscape and portrait orientation.

Resistant to UV rays

The special UV coating slows down aging, increasing the panel's service life.

Excellent performance even when exposed to splashing water

The front panel has a waterproof construction (degree of protection: IP67).

Low power consumption

The GT03-E only requires 1.9W for the monochrome type and 3.1W for the color type.

Display highly readable even in bright environments

Thanks to the anti-glare layer, the display is easy to read even in bright sunlight.

Same resolution as 5.7 inch model (GT32-E)

Both GT03-E and GT32-E have the same resolution of 320x240 pixels, allowing you to re-use screen data.

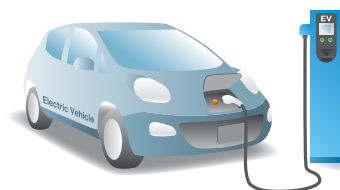
Application examples



Car washing machine



Coin-operated parking



Charging station for electric vehicles



Food filling station

Compact monochrome display

GT05M/GT05G



3.5 inch high-contrast black QVGA LCD



Silver



Green

Orange

Red

White

Pink

Red

GT05M/GT05G

GT05G in green, orange and red, GT05M displays screens in white, red and pink, ensuring both operability, great readability and brightness.

The monochrome type GT05 touch panels come in 12 variations. Whether with a RS232C or RS422 (RS485) interface, black or silver housing, the choice is up to you!

Interfaces

The GT05 series provides an RS232C or an RS422 (RS485) interface, which allows you to connect the GT05 to PLCs of several manufacturers or other intelligent devices.

SD/SDHC memory card slot (up to 32GB max.)

Memory cards make it easy to copy, back up and restore GT projects, PLC programs, alarm lists, recipes, and data logs.

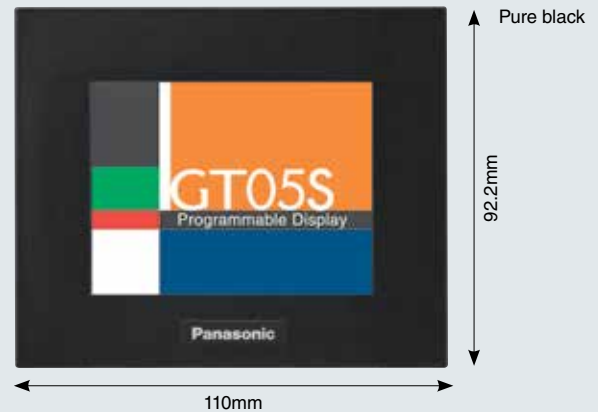
USB port

USB interface as standard equipment Supports the through function using a USB cable, allowing simultaneous debugging of PLC and GT touch panel.

GT05S



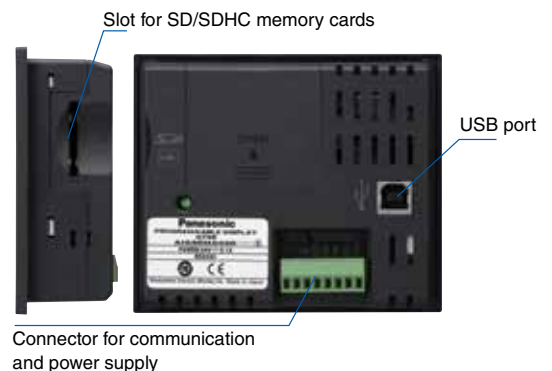
3.5 inch 4096-color QVGA LCD



Pure black

92.2mm

110mm



Slot for SD/SDHC memory cards

USB port

Connector for communication and power supply

GT05S

The industry's smallest 3.5 inch STN color display. Large display with space-saving outer dimensions of 110 x 92.2 x 33.8mm.

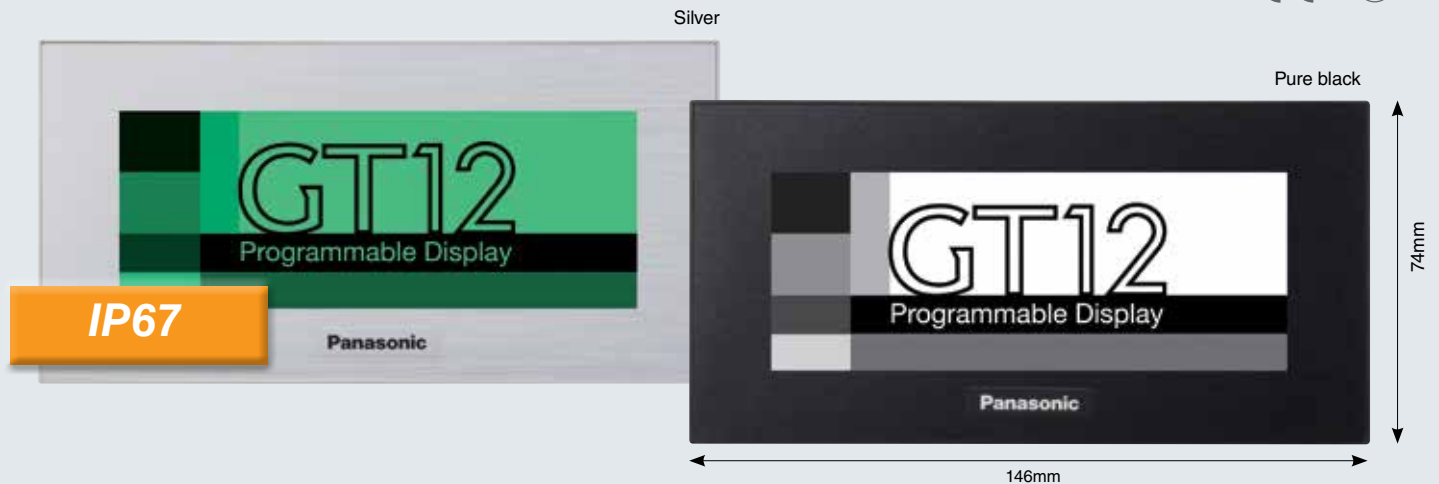
The LCD uses STN technology to achieve a wide viewing angle (50° horizontally, 60° vertically), thus improving readability from different angles.

The GT05 series offers a host of innovative functions and is also pleasing to the eye. With their 4096 colors, the displays make it possible to create screens that are highly readable and user friendly.

GT12



IP67-rated body, top class brightness



Slim body equipped with a half-QVGA LC display - the highest visual quality in its class

The high-definition LCD (320 x 120 dots) produces crisp images, without annoying dots or lines.

The bright, 3-color LED backlight indicates the equipment status

The color combination is white/red/pink or green/orange/red. The backlight enhances both operability and visibility.



SD/SDHC memory card slot (up to 32GB max.)

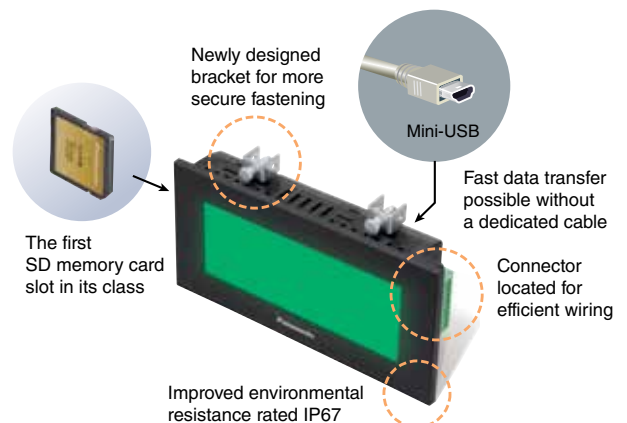
Memory cards make it easy to copy, back up and restore GT projects, PLC programs, alarm lists, recipes, and data logs.

Mini-USB port as standard equipment

Supports the through function using a USB cable, allowing simultaneous debugging and programming of PLC and GT touch panel.

Flexible sizing and layout available for switches and characters

Switches of a minimum of 8 x 8 dots can be moved in increments of one dot. A wide range of character fonts and sizes (10 to 120 dots) are supported.



GT32-R



Clear and beautiful display thanks to high-definition, long-life LED backlight



GT32M-R

5.7 inch monochrome STN LC display with 2 colors (black/white, 16 gray scales) equipped with a long-life white LED backlight

Improved display with excellent readability in bright environments

Thanks to the high contrast ratio, the display is easy to read even in bright sunlight. GT32M-R has a contrast ratio of 400 : 1, GT32T-R has a contrast ratio of 500 : 1

The industry's thinnest panel in the 6-inch class with a depth of only 39.1mm

Big display with space-saving outer dimensions (163.2x128.8x39.1mm)

SD/SDHC memory card slot (up to 32GB max.)

Memory cards make it easy to copy, back up and restore GT projects, PLC programs, alarm lists, recipes, and logged data.

USB port

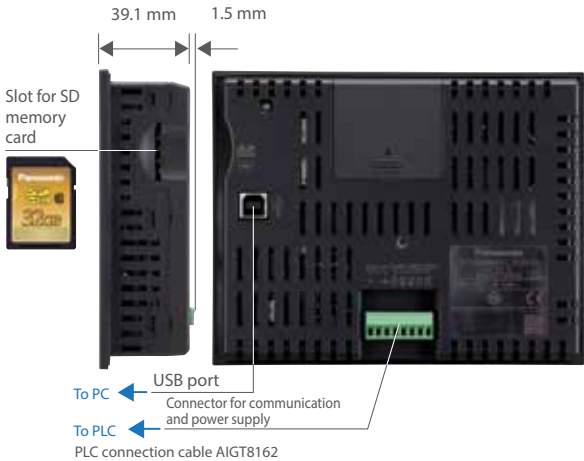
USB interface as standard equipment Supports the through function using a USB cable, allowing simultaneous debugging of PLC and GT touch panel.

Energy-saving thanks to low current consumption

The GT32M-R only requires 4.8W for the monochrome display and GT32T-R only 7.2W for the color display.

GT32T-R

5.7 inch color TFT LC display with 4096 colors equipped with a long-life white LED backlight

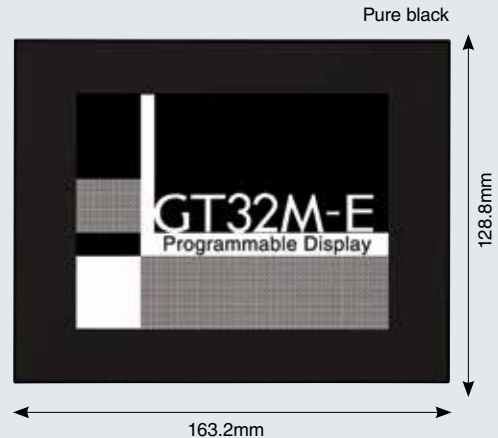


“Outdoor” touch panel

GT32-E



Programmable display with excellent legibility for a wide variety of outdoor applications



Excellent legibility

Improved brightness, high contrast, and a non-reflecting display ensure excellent legibility in sunlight, rain or fog.

Extensive application range

The ambient temperature ranges from -20°C to + 60°C and the ambient humidity from 10 to 90% RH.

UV protection

A protective layer on the front minimizes UV-related aging processes.

Highly impervious to dampness, water, vapors, etc.

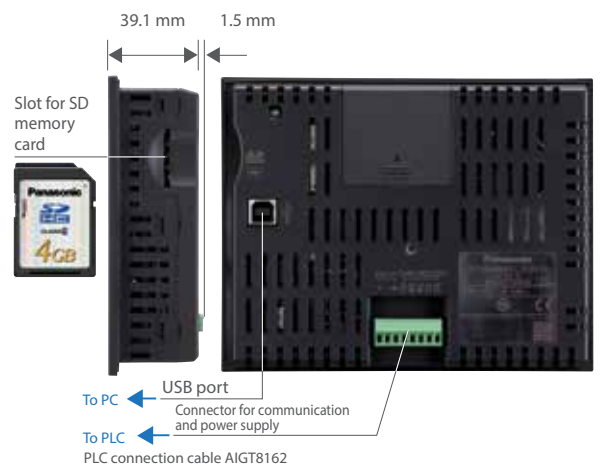
The front panel of the GT-E series provides an IP67 degree of protection, allowing the displays to be used in outdoor environments.

SD/SDHC memory card slot (up to 32GB max.)

Memory cards make it easy to copy, back up and restore GT projects, PLC programs, alarm lists, recipes, and data logs.

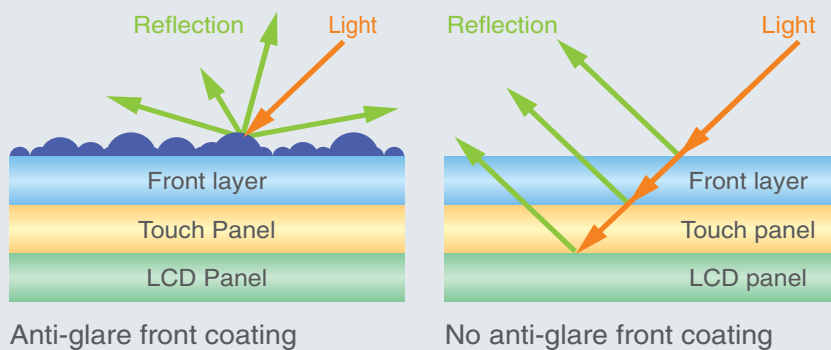
USB port

USB interface as standard equipment. Supports the through function using a USB cable, allowing simultaneous debugging of PLC and GT touch panel.



Anti-glare panel

Thanks to the non-reflecting panel, the display remains clear and easy to read under almost all circumstances. A UV coating ensures a long lifetime for the anti-glare layer.



UV protection layer

The GT32-E touch panels are UV-resistant. The front protection layer also slows down the aging process caused by UV radiation.

Transformer-isolated power supply

The isolated power supply enhances reliability.

GT32T-E

5.7 inch, TFT color LCD with 4096 colors, backlight using long-life LED (approx. 50,000 hours)



New model GT32T-E



Standard GT32T

GT32M-E

5.7 inch, TFT color LCD with 16 gray scales, backlight using long-life LED (approx. 70,000 hours)



New model GT32M-E



Standard GT32M

Progressing towards a new dimension:



the GT707 from Panasonic.

GT707



7 inch wide-screen color display in a small body

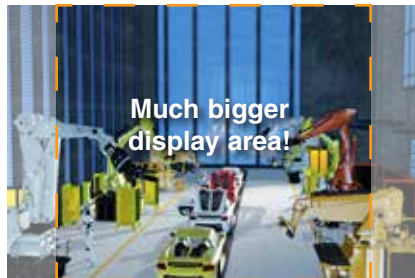


The first 7-inch touch panel which fits into the panel cut-out of a 5.7 inch touch panel

This way, the extremely user-friendly touch panel provides more display space while maintaining a slim design.

Model comparison

GT707 (7 inch) compared with GT32T-R (5.7 inch) from our previous compact model.



	GT32T-R	GT707
Resolution in dots	320 x 240	800 x 480
Colors	4094	65536
Installation size (in mm)	163.2 x 128.8	186 x 122
Display area (in mm)	115.2 x 86.4	153.8 x 85.6

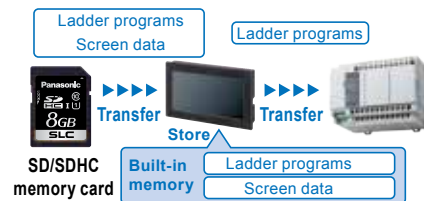
High-resolution TFT color screen with 65536 colors and a long-life white LED backlight

The comfortable wide-screen LCD (800 x 480 pixels) displays images in high contrast without distracting dots or lines. The new GT model offers 16 times more colors and a resolution that is 5 times higher than that of the GT32T-R, for example.



Easy way to check the status of all connected devices at one glance

The device monitor lets you see the status of a PLC without having to go through a computer (Control FPWIN Pro). Simply start the device monitor from the system menu. No need for manual programming*.



Transfer of program data

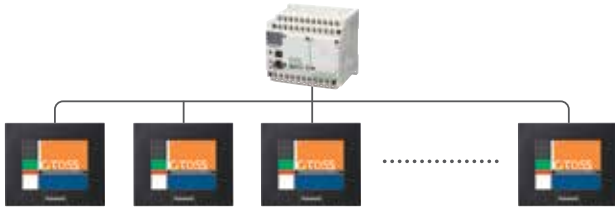
No computer needed to exchange PLC and GTWIN projects between the devices*.

* except FP7

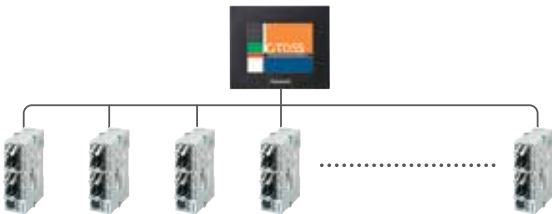
Features

1:N and N:1 communication

Up to 32 GT displays can be connected to one PLC unit.



Up to 31 PLC units can be connected to one GT unit.



Slot for SD/SDHC memory cards up to 32GB (class 10)

Can be used for:

- Up-/download of PLC programs
- Up-/download of GT applications
- Recipe memory
- Data logging
- Alarm history



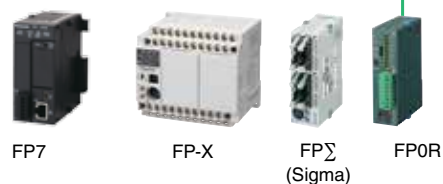
Alarm list

Alarm activation, check and recovery can be recorded and displayed.



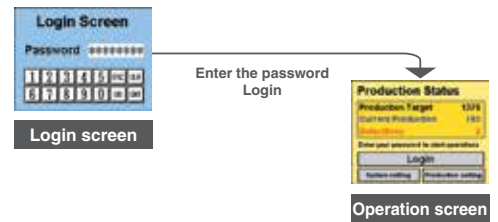
Simple connection and maintenance

The through function improves handling in combination with our FP Series PLC. Simultaneous operation of GT data transfer and PLC debugging is available by connecting your GT to a personal computer and to our FP Series PLC.



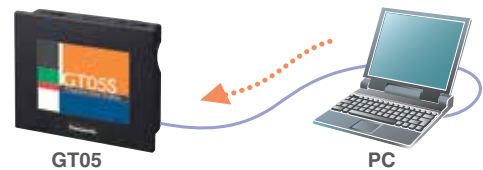
Security features

- Password protection
- Operation security



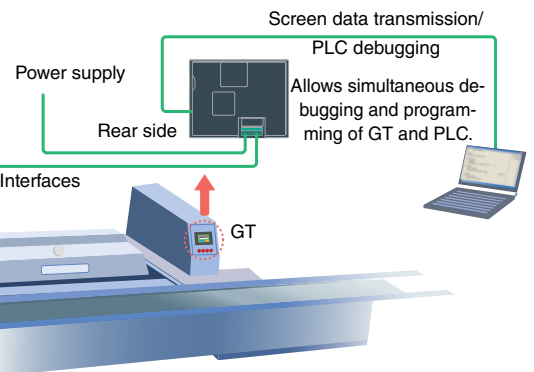
Up to 64 operators can set individual passwords, and up to 16 authorization levels can be set.

USB interface for programming



Easy-to-use software GTWIN

Please see page 16 for more information.



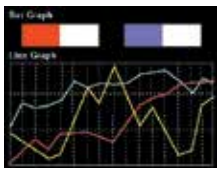
Switch languages

Conventionally, screens were created for each language. With the multi language function, data can be registered in up to 16 languages for each part. The text can be edited in GTWIN or Microsoft Excel.

	Japanese	English	Simplified Chinese	Traditional Chinese	Korean
000 SW0	日本語	English	简体中文	繁體中文	한국어
000 SW0	ありがとうございます	Thank you	热烈欢迎	热烈欢迎	안녕하
000 SW1	1	1	1	1	1
000 SW1	2	2	2	2	2

Wide variety of functions

Graph function



You can identify the production or operation status in line or bar graph form.

Flow display function



A flowing message of up to 64 characters (two-byte) can be displayed at the bottom of the screen. (128 messages)

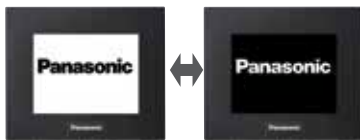
Recipe Function



Settings by product type and other data (up to 3600 words) can be transferred to the PLC, simplifying PLC programming.

Reversing screen display for monochrome GTs

The black and white display on the screen can be reversed. This function is ideal for highlighting the screen display.



Extended line-graph function

Instantaneous display of graphs is possible for devices such as PLCs and Eco-POWER METERS and it is also possible to display graphs for the logged data saved to an SD memory card.



RS485



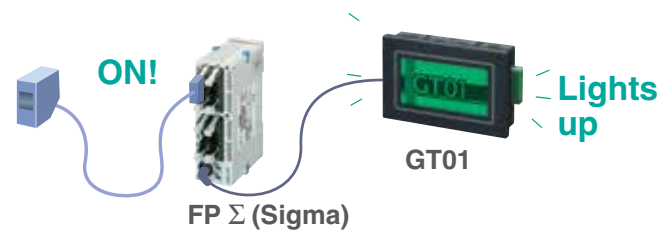
Enhanced switch functions

- Custom switches: Design your own switches
- Multi-function switches: Save space on your screen
- Turning on/off switch display function: Display switches only when necessary



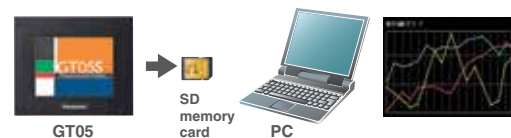
The backlight can be controlled via PLC

The backlight color provides the operator with a clear visual cue of the system status.



PLC data logging function

Values of PLCs, Eco-POWER METERS, etc. can be read and saved in CSV format on an SD memory card. This function serves as a simple logger to, for example, monitor power consumption data of Eco-POWER METERS or collect production quantity and operation status data from PLCs so that the data can be used for preparing monthly reports or problem analysis reports.



The trigger can be selected from among time, frequency (1 second to 24 hours), and conditions (external trigger). Data can be saved for up to 128 points, 60 generations, and 16 types.*

* Depends on the storage capacity of the SD memory card.

GTWIN

Programming software for the GT series

GTWIN is a screen creation software designed for the GT series. You can design screens and download them to a GT touch panel, upload data from a touch panel or print them. You can compose messages and graphics. GTWIN comes with a host of pre-defined parts that make it easy for you to design screens quickly and easily, e.g. switches, lamps, clocks, keyboards, etc. Just drag and drop them onto your screen.



Up to 10 different languages in ONE project

The menu can be displayed in Japanese, English, Simplified Chinese, Traditional Chinese, Korean, German, Italian, Spanish and French.

Simply drag & drop parts

You can easily create screens by just dragging parts from the library and dropping them anywhere you want.



4096-color 3D buttons (for the GT family)

3D-design buttons with higher visibility and operability are available.

Firmware upgrading function

Automatically upgrade older firmware versions if desired.

GTWIN is supported by the current Windows firmware versions.

Versatile assistants: SD memory cards

Data logging on an SD memory card

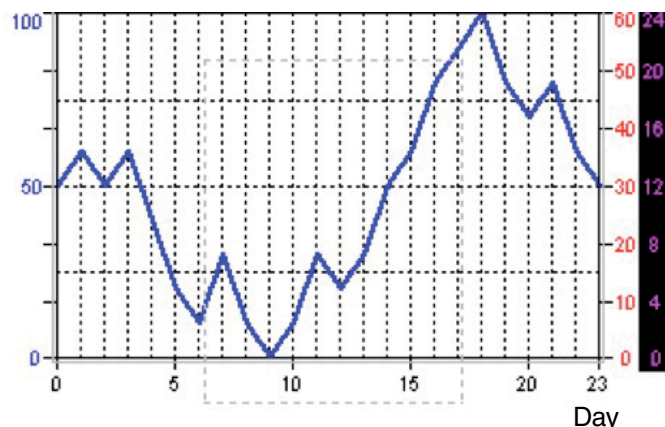
All GT touch panels support data logging of process data on commercially available SD memory cards. The log files can contain up to 60000 data records and are saved in CSV format. Data can thus be logged without requiring extra software.



Display SD logging data graphically

Data logged on the SD card can be displayed graphically. You can choose among the following time frames for display:

- Year (month unit)
- Month (day unit)
- Day (hour unit)
- Number of plots: The display begins with the first value of the hour specified.



Store recipes on the SD memory card

Within the SD recipe area on the SD card, 100 recipe folders can be created. Each recipe folder can hold up to 64 recipe files. Each recipe file can contain a data set of up to 4096 ingredients (device values). All touch panels of the GT series support this function.

SD memory card as program memory card

You can save PLC programs on an SD memory card. Using the GT system menu, you can choose in which direction to copy the program. The data type compilation (*.FP) and the source file (*.PCD) are supported. All touch panels of the GT series support this function.

Save alarms on the SD memory card

The GT panel's alarm list can be saved as a CSV file on the SD card. All touch panels of the GT series support this function.

Compact and innovative: the HM500 series from Panasonic



HM504



- 4.3 inch TFT color screen (16:9)
- Resolution 480 x 272 dots (WQVGA), 64K colors
- 128MB flash memory
- USB port with host interface 2.0
- 1 expansion slot for plug-in
- 147 x 107mm (W x H)

HM507



- 7 inch TFT color screen (16:9)
- Resolution 800 x 480 dots (WQVGA), 64K colors
- 128MB flash memory
- 2 USB ports with host interface (1x host 2.0, 1x host 2.0 and 1.1)
- 2 expansion slots for plug-ins
- 187 x 147mm (W x H)

HM510



- 10.4 inch TFT color screen (16:9)
- Resolution 800 x 600 dots (SVGA), 64K colors
- 256MB flash memory
- 2 USB ports with host interface (1x host 2.0, 1x host 2.0 and 1.1)
- 2 expansion slots for plug-ins
- 287 x 232mm (W x H)

HM513



- 13.3 inch TFT screen (16:9)
- Resolution 1200 x 800 dots (WXGA), 64K colors
- 256MB flash memory
- 2 USB ports with host interface (1x host 2.0, 1x host 2.0 and 1.1)
- 2 expansion slots for plug-ins
- 336 x 267mm (W x H)

General specifications

- Serial port software configurable: RS232C/RS422/RS485
- 2 Ethernet ports with integrated switch
- Coating on all electronic boards
- Resistive touchscreen
- LED backlight

HM500 series: robust & innovative

Key features

The HM500 series combines state-of-the-art features and a top performance HMI in an outstanding design.

The ideal choice for satisfying a wide range of applications.

- Available sizes: 4.3 inch, 7 inch, 10.4 inch, 13.3 inch
- IP66 front panel
- Innovative, full-metal design
- Bright LED display with 64K colors
- 600MHz & 1GHz ARM cortex A8 processor
- Microsoft Windows CE 6.0 operating system
- Ethernet, USB, and integrated configurable serial ports
- SD card slot
- Gateway function, remote application control and online customer support
- Horizontal or vertical installation
- Low power consumption; with cooling system
- CE/UL certification
- Tropicalized electronics

Quality vector graphics

- Supports SVG vector graphics
- Dynamic object properties with tags
- Object properties accessible via Javascript
- Dynamic interaction between properties of different objects
- Animation
- TrueType font
- Large set of symbols and objects



Communication and Gateway

- Integrated web server, FTP server
- Integrated web browser
- Supports VNC technology for remote desktop
- E-mail alerts
- Gateway function between different protocols



HMWin: Programming environment

Key features

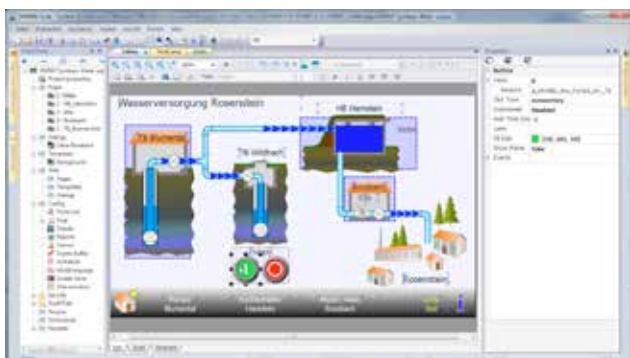
- Simple, intuitive interface
- Project tree resource navigation
- Data displayed in numeric format, bar graph, analog indicators and images
- Multilanguage support with import and export function for texts
- Data acquisition and display in line or bar graphs
- Alarm management and event history
- User group and password management
- Audit Trail recipe management
- Remote monitoring and control with Client-Server architecture based on Web technology (compatible with smartphones and tablets)
- Powerful JavaScript engine
- Large ready-to-use macro library
- Reports printable on USB printer and as a PDF file
- Advanced HMI objects: scheduler and event planning, rotating menus, RSS Feeds, IP camera input
- On-line and off-line simulation



Firmware

The current firmware and HMWin versions are available for download from our website www.panasonic-electric-works.de for free.

Two programming examples created with the software HMWin:



Application for water supply





Application for language switching

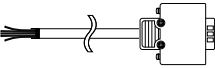
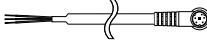
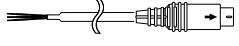
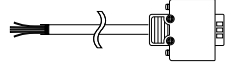
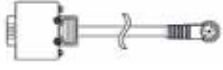
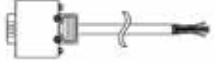
You can download more programming examples from our download center:
<https://www.panasonic-electric-works.com/eu/downloadcenter.htm>

Touch panels

Product	Description				Part number	SD card slot					
	LCD	Power supply	Communication port	Color							
 	GT02M touch panel 3.8 inch	STN monochrome (white/red/pink backlight)	5V DC	RS232C	Black	AIG02MQ02D					
					Ash gray	AIG02MQ03D					
				RS422 (RS485)	Black	AIG02MQ04D					
					Ash gray	AIG02MQ05D					
			24V DC	RS232C	Black	AIG02MQ12D					
					Ash gray	AIG02MQ13D					
				RS422 (RS485)	Black	AIG02MQ14D					
					Ash gray	AIG02MQ15D					
	GT02G touch panel 3.8 inch	STN monochrome (green/orange/red back- light)	5V DC	RS232C	Black	AIG02GQ02D					
					Ash gray	AIG02GQ03D					
				RS422 (RS485)	Black	AIG02GQ04D					
			Ash gray		AIG02GQ05D						
			24V DC	RS232C	Black	AIG02GQ12D					
					Ash gray	AIG02GQ14D					
RS422 (RS485)	Black	AIG02GQ22D		✓							
	Ash gray	AIG02GQ23D	✓								
	GT03T-E touch panel 3.5 inch	TFT color	24V DC	RS232C	Ash gray	AIG03TQ03DE	✓				
	GT03M-E touch panel 3.5 inch	TFT monochrome				RS422 (RS485)	AIG03TQ05DE	✓			
				RS232C			AIG03MQ03DE	✓			
	RS422 (RS485)	AIG03MQ05DE				✓					
		  		GT05M touch panel 3.5 inch		STN monochrome (white/red/pink backlight)	24V DC	RS232C	Pure black	AIG05MQ02D	✓
	Silver								AIG05MQ03D	✓	
RS422 (RS485)	Pure black		AIG05MQ04D		✓						
	Silver		AIG05MQ05D		✓						
GT05G touch panel 3.5 inch	STN monochrome (green/orange/red back- light)		24V DC	RS232C	Pure black	AIG05GQ02D	✓				
					Silver	AIG05GQ03D	✓				
				RS422 (RS485)	Pure black	AIG05GQ04D	✓				
					Silver	AIG05GQ05D	✓				
GT05S touch panel 3.5 inch	STN color		24V DC	RS232C	Pure black	AIG05SQ02D	✓				
					Silver	AIG05SQ03D	✓				
				RS422 (RS485)	Pure black	AIG05SQ04D	✓				
					Silver	AIG05SQ05D	✓				
 	GT12M touch panel 4.6 inch	STN monochrome (white/red/pink backlight)	24V DC	RS232C	Pure black	AIG12MQ12D	✓				
					Silver	AIG12MQ13D	✓				
				RS422 (RS485)	Pure black	AIG12MQ14D	✓				
					Silver	AIG12MQ15D	✓				
	GT12G touch panel 4.6 inch	STN monochrome (green/orange/red back- light)	24V DC	RS232C	Pure black	AIG12MQ12D	✓				
					Silver	AIG12MQ13D	✓				
				RS422 (RS485)	Pure black	AIG12MQ14D	✓				
					Silver	AIG12MQ15D	✓				
				 	GT32M-R Bediengerät 5.7 inch	TFT monochrome	24V DC	RS232C	Pure black	AIG32MQ02DR	✓
									Silver	AIG32MQ03DR	✓
RS422 (RS485)	Pure black	AIG32MQ04DR	✓								
	Silver	AIG32MQ05DR	✓								
GT32R touch panel 5.7 inch	TFT color	24V DC	RS232C		Pure black	AIG32TQ02DR	✓				
					Silver	AIG32TQ03DR	✓				
			RS422 (RS485)		Pure black	AIG32TQ04DR	✓				
					Silver	AIG32TQ05DR	✓				
 	GT32T-E touch panel 5.7 inch	TFT color	24V DC	RS232C	Ash gray	AIG32TQ03DE	✓				
						RS422 (RS485)	AIG32TQ05DE	✓			
	GT32M-E touch panel 5.7 inch	TFT monochrome		RS232C			AIG32MQ03DE	✓			
						RS422 (RS485)	AIG32MQ05DE	✓			

Product		Description				Part number	SD card slot
		LCD	Power supply	Communication port	Color		
	GT707 touch panel 7.0 inch	TFT color	24V DC	RS232C	Pure black	AIG707WCL1G2	✓
	HM504 touch panel 4.3 inch	TFT color	24V DC	RS232, RS485, RS422	Pure black	AIHM504	✓
	HM507 touch panel 7.0 inch	TFT color	24V DC	RS232, RS485, RS422	Pure black	AIHM507	✓
	HM510 touch panel 10.4 inch	TFT color	24V DC	RS232, RS485, RS422	Pure black	AIHM510	✓
	HM513 touch panel 13.3 inch	TFT color	24V DC	RS232, RS485, RS422	Pure black	AIHM513	✓

PLC connection cables

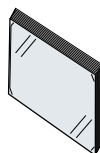
Touch panel	Part No.	Connection cable	PLC
GT series (24V DC, RS422/RS485) Not for GT707	AIGT81S2D	 PLC connection cable (2m), 2 single wires + shielding wire — 9-pin Sub-D female	Siemens S7-200 series
GT series (24V DC, RS232C) Not for GT707	AIGT8192	 PLC connection cable (2m), 3 single wires — 5-pin mini DIN plug, angled type AIGT8193 (3m), AIGT8194 (4m) and AIGT8195 (5m) are also available.	Panasonic Electric Works FP series
GT series (24V DC, RS422/RS485) Not for GT707	AIGT8175	 PLC connection cable (5m), 4 single wires + shielding wire — 8-pin mini DIN plug	Mitsubishi Electric FX series
GT series (24V DC, RS232C) Not for GT707	AIP81842	 PLC connection cable (2m), 3 single wires — 9-pin Sub-D female	Panasonic Electric Works FP2SH COM port
GT707 (24V DC, RS232C)	AFC8513D	 PLC connection cable (3m), 9-pin Sub-D female — 5-pin mini DIN plug, angled type	Panasonic Electric Works FP0R/2/-e/-Sigma/-X TOOL port
GT707 (24V DC, RS232C)	AFB85D018-2M	 PLC connection cable (2m), 9-pin Sub-D female — 3 single wires AFB85D018 (0,5m) is also available.	Panasonic Electric Works FP0R/FP-X/FPG COM port, FP7 TOOL port

Accessories

Panel face protection sheets

10 sheets in a set (option)

GT02	AIF02800
GT05	AIG0T5800
GT12	AIG12800
GT32-E/R	AIG32800
GT707	AIG7A07S01



Backup batteries for GT touch panels

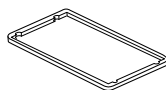
GT series (except GT707)	AFPX-BATT
GT707	AFPABAT001



Waterproof packing

Waterproof packing (for replacement),
10 pieces in a set. Package includes one set.

GT02	AIF02810
GT03-E	AIG03810E
GT05	AIGT05810
GT12	AIG12810
GT32-E/R	AIG32810E



Screen data transmission cable

Programming cable, USB type A to USB type B
for GT05 and GT32-E/R
Part No.: **AFPXCABUSB2**



Set of mounting brackets

5 sets with 2 mounting brackets each.
Package includes one set.

GT03-E	AIG12830
GT05	AIGT28321
GT12/GT02	AIG12830
GT32-E/R	AIGT32830



Programming cable, USB type A to Mini USB
(5 pins) for GT02/03-E/12/707
Part No.: **CABMINIUSB5**



North America

Europe

Asia Pacific

China

Japan

Panasonic Electric Works

Please contact our Global Sales Companies in:

Europe

▶ Headquarters	Panasonic Electric Works Europe AG	Robert-Koch-Straße 100, 85521 Ottobrunn, Tel. +49 (0) 8024 648-0, Fax +49 (0) 8024 648-111, www.panasonic-electric-works.com
▶ Austria	Panasonic Electric Works Austria GmbH	Josef Madensperger Str. 2, 2302 Biedermannsdorf, Tel. +43 (0) 2236-26846, Fax +43 (0) 2236-45133 www.panasonic-electric-works.at
	Panasonic Industrial Devices Materials Europe GmbH	Ernstshafenstraße 30, 4470 Enns, Tel. +43 (0) 7223 683, Fax +43 (0) 7223 65333, www.panasonic-electronic-materials.com
▶ Benelux	Panasonic Electric Works Sales Western Europe B.V.	De Rijn 4, (Postbus 211), 5664 PJ Best, (5660 AE Best), Netherlands, Tel. +31 (0) 499 372727, Fax +31 (0) 499 372185, www.panasonic-electric-works.nl
▶ Czech Republic	Panasonic Electric Works Europe AG, organizační složka	Administrative centre PLATINIUM, Vokvíř 3103/111, 616 00 Brno, Tel. +420 541 217 001, Fax +420 541 217 101, www.panasonic-electric-works.cz
▶ France	Panasonic Electric Works Sales Western Europe B.V.	Succursale française, 10, rue des petits ruisseaux, 91370 Verrières Le Buisson, Tel. +33 (0) 1 6013 5757, Fax +33 (0) 1 6013 5758, www.panasonic-electric-works.fr
▶ Germany	Panasonic Electric Works Europe AG	Robert-Koch-Straße 100, 85521 Ottobrunn, Tel. +49 (0) 8024 648-0, Fax +49 (0) 8024 648-111, www.panasonic-electric-works.de
▶ Hungary	Panasonic Electric Works Europe AG	Magyarországi Kizvetlen Kereskedelmi Képviselet, 1117 Budapest, Neumann János u. 1., Tel. +43 2236 26846-25, Mobile: +36 20 264 9899, Fax +43 2236 45133, www.panasonic-electric-works.hu
▶ Ireland	Panasonic Electric Works UK Ltd.	Irish Branch Office, Dublin, Tel. +353 (0) 14600909, Fax +353 (0) 14601131, www.panasonic-electric-works.co.uk
▶ Italy	Panasonic Electric Works Italia srl	Via del Commercio 3-5 (Z.I. Ferlini), 37012 Bussolengo (VR), Tel. +39 0456732711, Fax +39 0456700444, www.panasonic-electric-works.it
▶ Nordic Countries	Panasonic Electric Works Europe AG Panasonic Eos Solutions Nordic AB	Filial Nordic, Knarrstamsgatan 15, 164 40 Kista, Sweden, Tel. +46 859476980, Fax +46 859476990, www.panasonic-electric-works.se
▶ Poland	Panasonic Electric Works Polska sp. z s.o.	Jungmansgatan 12, 21119 Malmö, Tel. +46 40 697 7000, Fax +46 40 697 7099, www.panasonic-fire-security.com
▶ Spain	Panasonic Electric Works España S.A.	ul. Woloska 9A, 02-583 Warszawa, Tel. +48 22 338-11-33, Fax +48 22 338-12-00, www.panasonic-electric-works.pl
▶ Switzerland	Panasonic Electric Works Schweiz AG	Barajas Park, San Severo 20, 28042 Madrid, Tel. +34 913293675, Fax +34 913292976, www.panasonic-electric-works.es
▶ United Kingdom	Panasonic Electric Works UK Ltd.	Grundstrasse 8, 6343 Rotkreuz, Tel. +41 (0) 41 7967020, Fax +41 (0) 41 7967025, www.panasonic-electric-works.ch
		Sunrise Parkway, Linford Wood, Milton Keynes, MK14 6LF, Tel. +44 (0) 1908 231555, Fax +44 (0) 1908 231592, www.panasonic-electric-works.co.uk

North & South America

▶ USA	Panasonic Industrial Devices Sales Company of America	620 Central Avenue, New Providence, N.J. 07974, Tel. 1-908-454-3550, Fax 1-908-454-8513, www.pewa.panasonic.com
--------------	--	---

Asia Pacific/China/Japan

▶ China	Panasonic Electric Works Sales (China) Co. Ltd.	Level 2, Tower W3, The Towers Oriental Plaza, No. 2, East Chang An Ave., Dong Cheng District, Beijing 100738, Tel. +86-10-5925-9288, Fax +86-10-5925-9273
▶ Hong Kong	Panasonic Industrial Devices Automation Controls Sales (Hong Kong) Co., Ltd.	RM1205-Q, 12/F, Tower 2, The Gateway, 25 Canton Road, Tsimshatsui, Kowloon, Hong Kong, Tel. +852-2956-3118, Fax +852-2956-0368
▶ Japan	Panasonic Corporation	1048 Kadoma, Kadoma-shi, Osaka 571-8586, Japan, Tel. +81-6-6506-1050, Fax +81-6-6506-5781, www.panasonic.net
▶ Singapore	Panasonic Industrial Devices Automation Controls Sales Asia Pacific	300 Beach Road, #16-01 The Concourse, Singapore 169555, Tel. +65-6390-3811, Fax +65-6390-3810